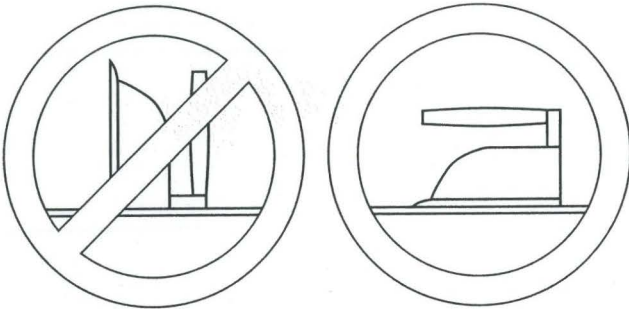


WATER IRON INSTALLATION

HOW TO USE THE IRON

1. HANG BOTTLE 1 METER ABOVE PRESSING SURFACE. (SEE BOTTLE HANGING INSTRUCTION.)
2. CONNECT THE BLACK HOSE END TO THE IRON, AND CLEAR HOSE END TO THE BOTTLE.
3. EMPTY DEMINERALIZER PACKAGE INTO THE BOTTLE AND FILL IT WITH TAP WATER ONLY. (IF YOU WANT TO, USE THE DEMINERALIZER AS AN OPTION.)
4. TIE THE ELECTRICAL CORD AND HOSE TOGETHER.
5. PLUG THE IRON CORD INTO A GROUNDED ELECTRICAL OUTLET.
6. SET THE TEMPERATURE DIAL ON NO. 4 AND LET THE IRON HEAT UP FOR TEN MINUTES.
7. OPEN THE BOTTLE VALVE AND ALLOW THE HOSE TO FILL WITH WATER BY PRESSING THE STEAM SWITCH. THE IRON IS NOW READY FOR USE.
8. WHEN NOT PRESSING, PLACE THE IRON ON THE SUPPLIED IRON REST.
9. ALWAYS UNPLUG THE IRON WHEN UNATTENDED OR NOT IN USE.

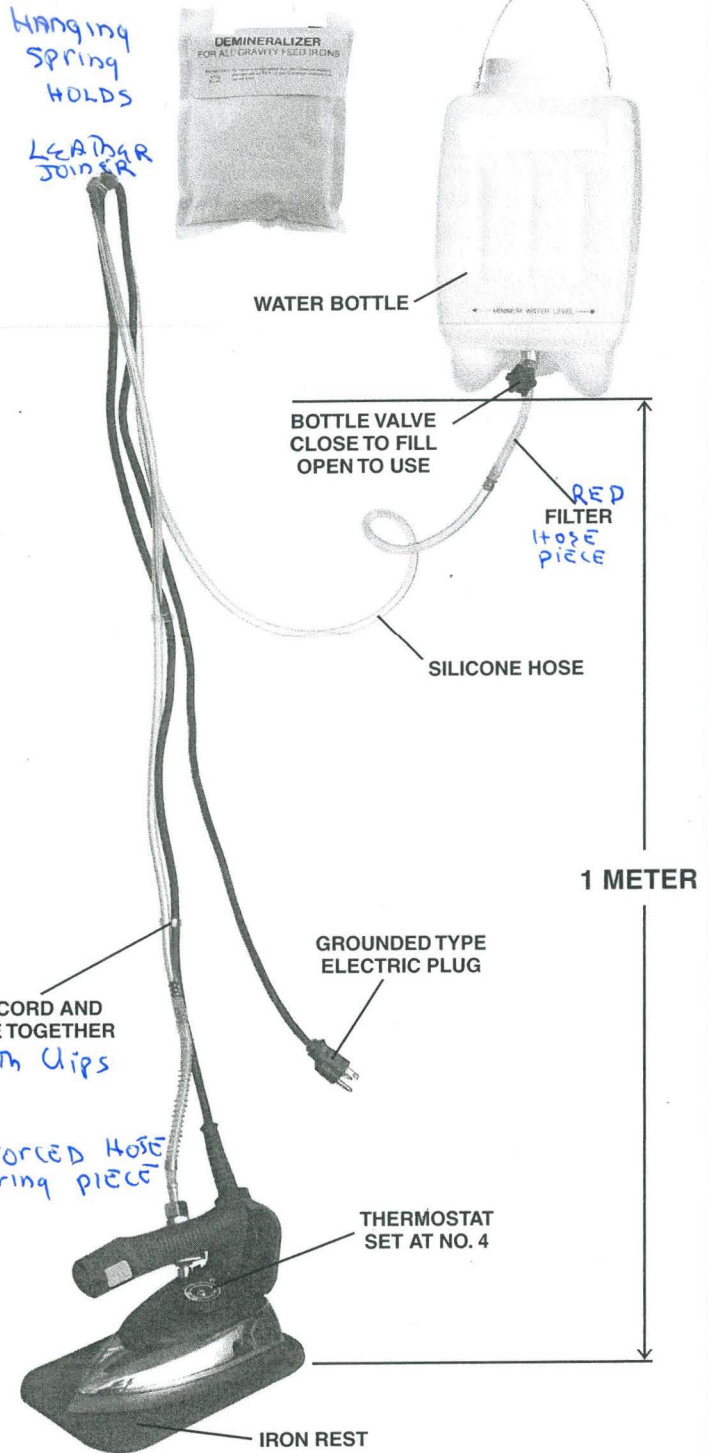
DO NOT STAND IRON ON ITS BACK.



IMPORTANT NOTICE ABOUT DEMINERALIZER:

- THE DEMINERALIZER EXTENDS THE LIFE OF THE IRON & PREVENTS CALCIUM BUILD-UP.
- WHEN THE DEMINERALIZER CHANGES FROM BLUE TO BROWN, REPLACE IT BY ORDERING A NEW PACKAGE FROM YOUR DISTRIBUTOR.

DEMINERALIZER
(AVAILABLE AS AN OPTION)

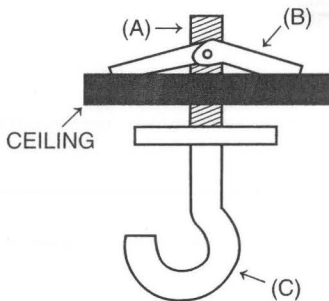


WATER IRON INSTALLATION

CEILING HOOK INSTALLATION INSTRUCTIONS

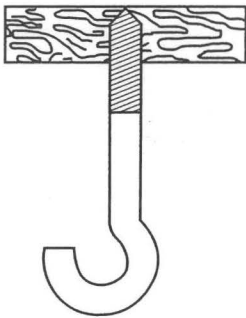
IMPORTANT : CAUTION – DO NOT SLIDE ELECTRICAL WIRE OR WATER HOSE OVER HOOK. SLIDE CHAIN LINK ONLY OVER HOOK.

CAUTION – INJURY TO PERSONS OR DAMAGE TO THE CEILING MAY RESULT IF THE BOTTLE OR MOUNTING HARDWARE IS PULLED FROM THE CEILING. TO AVOID SUCH INJURY, MOUNT ONLY TO CEILING MEMBERS THAT ARE STRUCTURALLY SOUND.



FOR HOLLOW CEILINGS:

1. DRILL 5/8" DIAMETER HOLE IN THE CEILING AT DESIRED HOOK LOCATION.
2. ASSEMBLE TOGGLE BOLT BY SCREWING BOLT (A) INTO TOGGLE (B).
3. INSERT FLAPS AND BOLT ASSEMBLY (A/B) HINGE UP INTO CEILING HOLE WITH THE BOLT (A) PROTRUDING THROUGH CEILING. LOCK ASSEMBLY BY TURNING HOOK (C) CLOCKWISE UNTIL FIRMLY SEATED.



FOR WOOD BEAM CEILINGS

SCREW HOOK CLOCKWISE INTO CEILING UNTIL FIRMLY SEATED.

FOR EITHER METHOD

HANG THE BOTTLE ASSEMBLY BY A CHAIN FROM THE HOOK SO THAT THE BOTTOM OF THE BOTTLE IS 1 METER (1 YARD-STICK) FROM THE WATER INLET ON THE IRON.